

JTS®



CS-4
AUTOMATIC MICROPHONE MIXER

59508-019



Important Caution	01
Features	01
Parts Identification	02
Installation and Operation	05
Internal Setup	07
Application	08
Specifications	09

Important Caution

- ❖ Always make all connections before plugging the unit into an AC power outlet.
- ❖ Do not leave the devices in a place with high temperature or high humidity.
- ❖ Always do not handle the power cord with wet hands.
- ❖ Keep the devices away from fire and heat sources.

Features

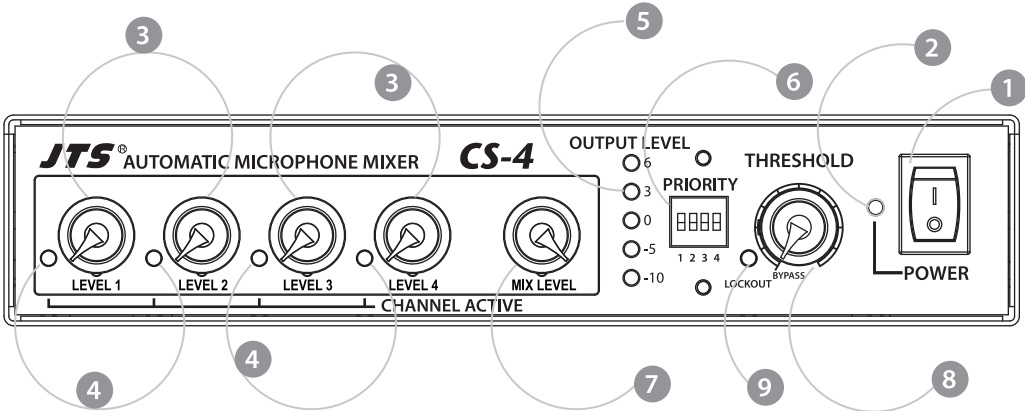
The CS-4 Automatic Mixer provides great convenience to sound reinforcement installation with any size and any combination. Full feature design includes

- ❖ Daisy-chain with unlimited number of the CS-4.
- ❖ Three operation modes: one-channel-at-a time, all active or priority.
- ❖ Switchable inputs accept microphones or line level devices; mic- or line level out.
- ❖ Individual gain control and phantom power for each channel.
- ❖ Last In stays on for continuous ambience sound.
- ❖ Control voltage provided to trigger external device such as speaker switching and camera switching.

The outstanding performance enables effective managing of multi-microphone installations including corporate boardrooms, conference rooms, government buildings, houses of worship, classrooms, and many others.

Parts Identification

Front panel

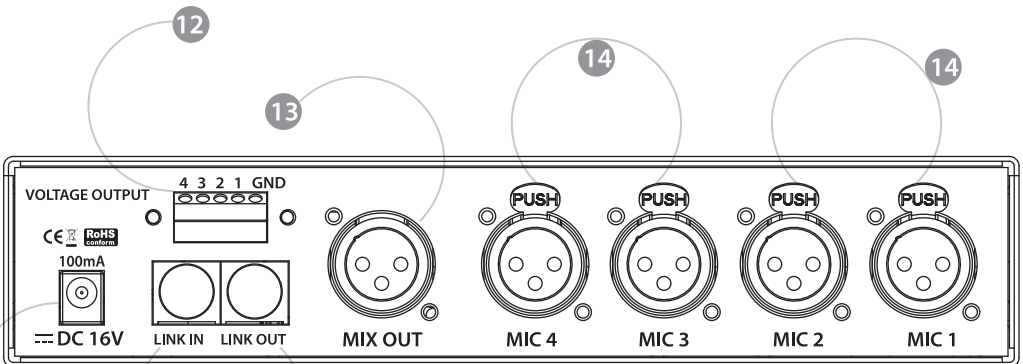


1. **Power switch**
2. **Power switch indicator**
3. **Input level controls:** Adjust the sensitivity of microphone input.
4. **Active channel LED indicator:** Indicate channel which is "active"
5. **Output level LED meter:** Indicate RMS output level of the Automatic Mixer.
6. **Priority switches:** The factory pre-set is in "Down" position. A switch in the "Up" position allows the respective microphone priority over other microphone. Any combination of "Priority/non-priority" is allowed.
7. **MIX level control:** The factory setting is fully clockwise. Turn counter-clockwise to reduce the mixer's output.
8. **THreshold/BYPASS control:** Set the reference level that must be exceeded for a microphone to be considered "in use", and prevent the ambient noise from accidentally triggering the microphones. "BYPASS" Mode will bypass all automatic function in the mixer system.
9. **Lockout LED indicator:** When "Lockout LED indicator" lights, the automatic function is activated to select a proper microphone.

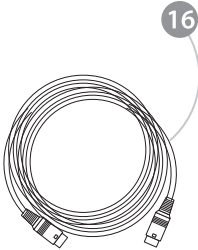
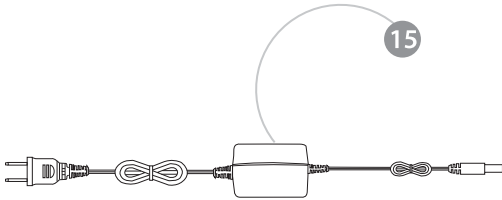
Important Caution

Rear panel

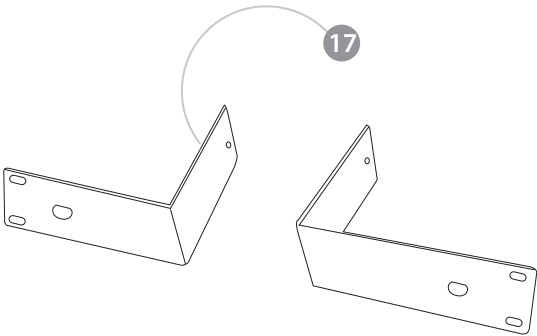
10. **Power supply:** Require 16VDC, 100mA (The attached adapter, 12V, 600mA, isn't full-loaded, so it can provide enough voltage +16VDC to the Automatic mixer.)
11. **Link In/Out:** For the daisy-chain multiple mixer system, the signal will pass through "Link In/Out" connectors.
12. **Voltage output:** Provide 0 or +4VDC (active high) to trigger external device for other applications.
13. **MIX output:** Preset balanced XLR Line-level output. Can be switch to mic-level output via internal switch. (Page 7)
14. **MIC. inputs:** Balanced XLR microphone input for dynamic or condenser microphones. Can be switched to line-level input via internal switches. (Page 7)



Accessories



- 15. AC/DC Adapter: 12V, 600mA
- 16. D8P-1 extension cable
- 17. RM-901 Rack mount kit (Optional)



Installation and Operation

CS-4 Automatic mixer setup guides

1. Turn "THreshold/BYPASS control" at minimum threshold, immediately clockwise of the "BYPASS" setting.
2. Set all "Priority switches" to "down" position.
3. Turn all four "Input level controls" fully counter-clockwise.
4. Connect the "AC/DC Adapter" to the Automatic mixer and the outlet.
5. Turn "Power switch" on. The "Power switch indicator" will light, and start self-test that would turn each microphones "on" and "off" consecutively.
6. Connect a microphone to "MIC 1" input and turn the "Input level control" to the "nine o'clock" position. The "Active channel LED indicator" will light when the microphone is active.
7. According to the "Output level LED meter", adjust "Input level control" to a proper position. (Peak at top)
8. Gradually increase "THreshold/BYPASS control" until the "Lockout LED indicator" flashes when speaking at a normal level, preventing ambient noise from accidentally triggering the microphone.
9. Plug in up to three other microphones and adjust each respective "Input level control". It's not necessary to readjust the "THreshold/BYPASS control".
10. The system allows only one "non-priority" microphone to be used at the same time. Only when one microphone stops using, the other one could be used.
11. Priority could be assigned to one or more microphone by moving "Priority switches" to "Up" position. Any microphone assigned to this setting can not be locked out by any other microphones.
12. "BYPASS" mode can be used at any time by simply switching "THreshold/BYPASS control" to "BYPASS" position. In this mode, the unit will function as a conventional four-channel microphone mixer and all automatic functions are bypassed.

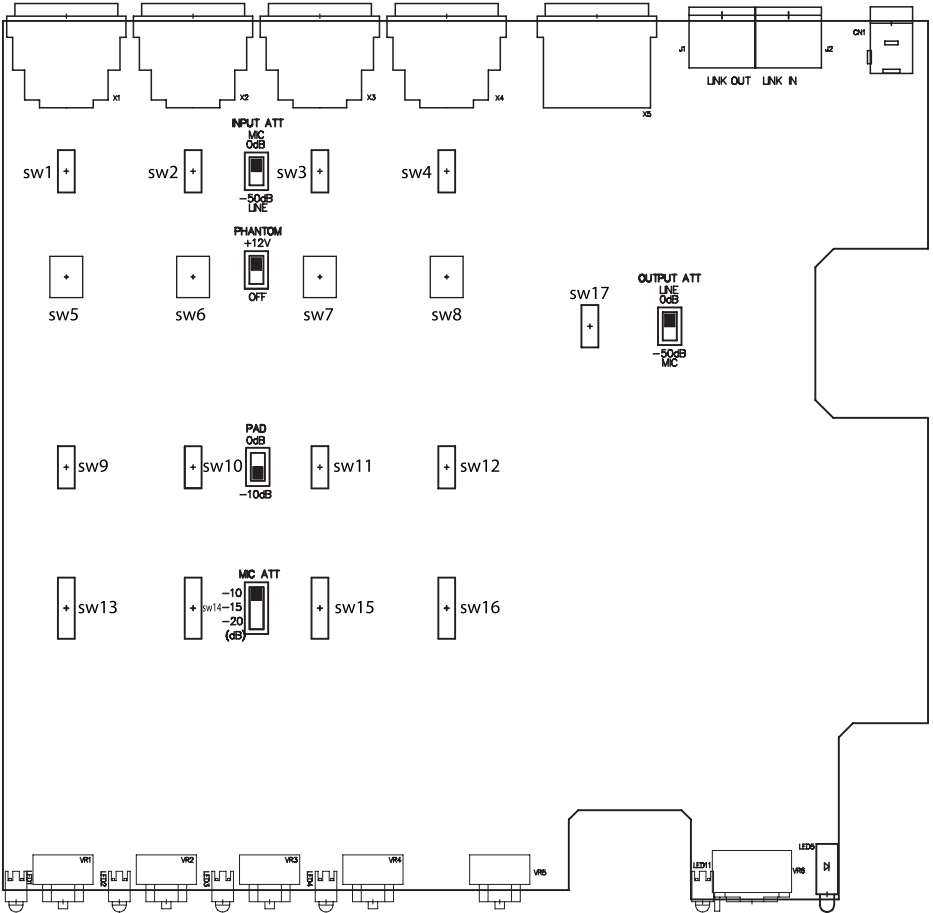


Figure 1

Internal Setup

CS-4 Automatic Mixer has a substantial gain range, allowing it to accept a wide variety of microphones. These settings are located inside the unit. Before setting, please unplugged the power cord, and remove the two screws on each side of the unit, and then remove the top cover. (Figure 1)

Preamplifier Gain

❖ Pad switches (Factory pre-set is -10dB)

Locate the internal switches on the circuit board designated by "SW9, SW10, SW11, SW12" for MIC 1, 2, 3, 4 respectively. Moving the switch will decrease the gain by 10dB (From 0dB to -10dB).

❖ Input attenuation switches (Factory pre-set is 0dB)

To accept the "line-level" input, the preamplifier gain may be reduced further. By changing the switches designated by "SW1, SW2, SW3, SW4", it will cause 50dB gain reduction for MIC 1, 2, 3, 4 respectively.

Notice: Combination of Pad and Input attenuation switches would reduce sensitivity by up to 60dB for each MIC input.

Output Attenuation (Factory pre-set is at line-level of 0dB)

Locate the internal switch on the circuit board designated by "SW17". Changing the setting to "MIC" would cause a 50dB reduction in output.

Microphone Attenuation (Factory pre-set is -10dB)

If the number of microphones in use is high, it may increase the amount of "Microphone attenuation" of each microphone to maintain the total ambient noise level low. The "Microphone Attenuation switch" has three settings of -10dB, -15dB, and -20dB. Locate the internal switches on the circuit board designated by "SW13, SW14, SW15, SW16". Changing the setting to "-15 or -20" will cause the attenuation by "-15dB or -20dB" respectively.

Phantom Power (Factory pre-set is "+12V")

Each of "MIC input" supplies +12V phantom power. If it's required to disable the phantom power, changing the setting of these switches to "OFF", the switches are located in the internal circuit board designated by "SW5, SW6, SW7, SW8" for MIC 1, 2, 3, 4 respectively.

Application

Daisy-chaining mixer

When more than four microphones are used, the system could daisy-chain multiple CS-4 Automatic Mixers together through “Link In/Out” on the rear panel. Connect the #1 Mixer’s “Link Out” to the #2 Mixer’s “Link In” with “D8P-1” extension cable. Repeat it to connect enough Mixers for installation. The last unit in the chain contains audio from all preceding mixers, and the combined output is then taken from the last mixer in the chain. (Figure 2)

Notice 1: Because the “Lockout information” is passed through “Link In/Out”, the whole chain system has only one microphone will stay on.

Notice 2: One or more mixers could be changed to “BYPASS” mode without affecting automatic functions in other mixers in the entire daisy-chain system.

Rack Mounting

Combined with “RM-901” rack mount kit, the CS-4 Automatic Mixer could be mounted in a 1U rack space.

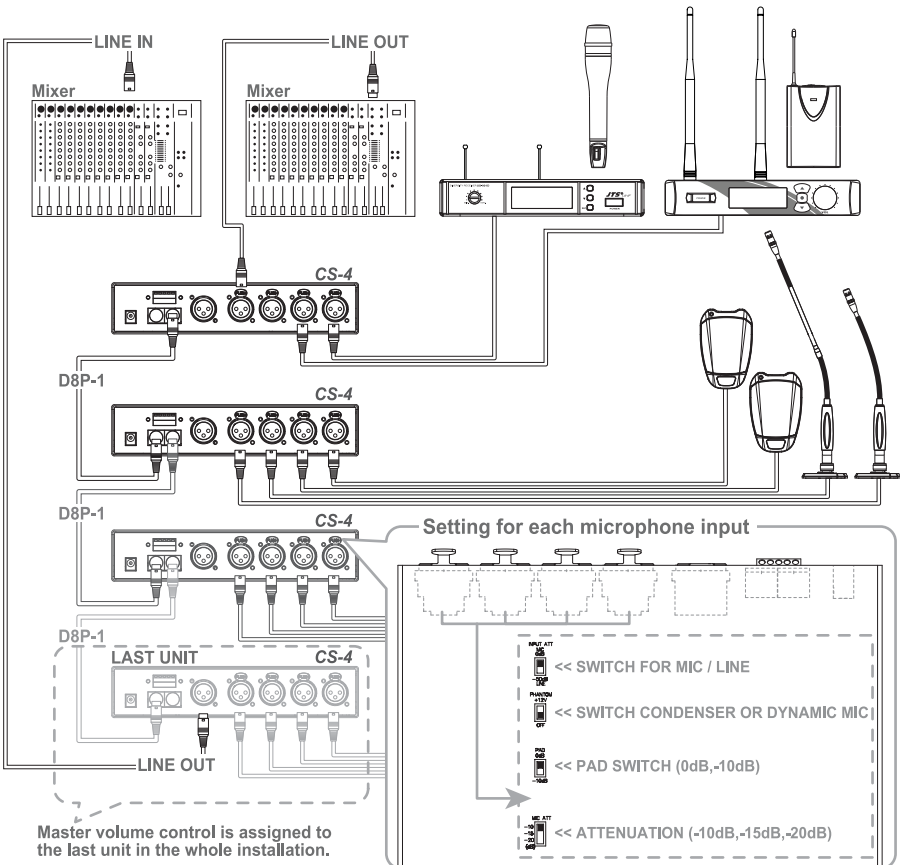
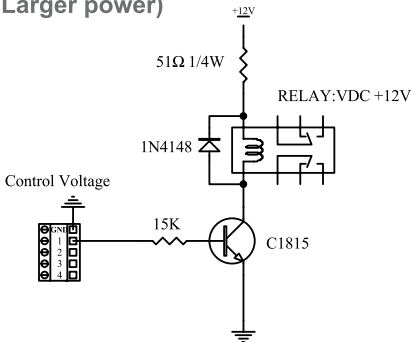


Figure 2

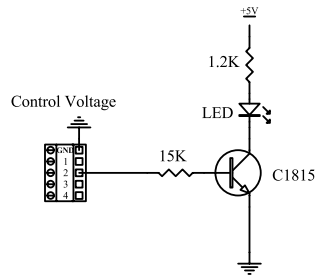
Voltage Output

When a microphone channel turn “on”, as indicated by a “Active channel LED indicator” on the front panel, the channel’s associated “Voltage Output” goes “high” (+4 VDC). This signal can be used by different applications, such as select video cameras.

Driving One device (Larger power)



Driving One LED



Specifications

Power Supply:

16VDC, 100mA (The attached adapter, 12V, 600mA, isn't full-loaded, so it can provide enough voltage +16VDC to the Automatic mixer.)

Power Consumption: 4.6 Watt (include Adapter)

Fuse: T0.5AE 250V

Impedance

Input

Type: XLR

Mic: 4.7KΩ

Line: 20KΩ

Output

Type: XLR

Mic: 300Ω

Line: 200Ω

Maximum Output Level

Line: >+19 dBm

Maximum Gain: ≥70dBm

Internal Controls

Mic/Line attenuation: -50dB

Phantom Power: +12V

Pad: -10dB

MIC Attenuation: -10dB, -15dB, -20dB

Output Attenuation: -50dB

Frequency Response: 35~20KHz ±2dB

THD% Input(1 KHz -50dB): <0.06%

Signal-To-Noise Ratio: >70dBm

Voltage Output: : +4VDC±0.3V

Weight: 1.41kg

Dimensions: 200mm(L)*212mm(W)*44mm(H)