

TRX TRx215N Dual 15-inch 3-Way

Features

- ◆ Very Powerful and Medium throw Trapezoid design
- ◆ Passive full range or Tri-amp crossover
- ◆ Dual Heavy-Duty Neodymium 15-inch Woofer
- ◆ Titanium 2-inch exit, 3-inch VC, HF driver
- ◆ Black DuraTex™ weather resistant finish

Application

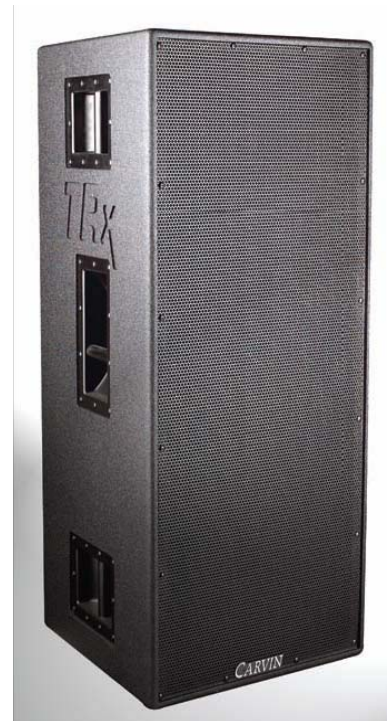
The **TRx215N** is designed to stand alone as a full range sound reinforcement loudspeaker and can be coupled with TRx218 for a four way extended low-end system. Effective for both permanent and portable applications, it comes with handles, rubber footpads, and NL8 connectors for tri-amp access.

Applications include:

- ◆ Large Club system
- ◆ Large House of Worship
- ◆ Outdoor system

Description

The TRx215N is our most powerful enclosure with dual 15-inch and a 2-inch HF driver. The trapezoidal design and 60x40HF horn enables multiple cabinets to work side by side. The system features two high power, lightweight Neodymium 15-inch woofers with 3-inch voice coils and a 2-inch exit, 3-inch voice coil titanium HF driver for continuous high peak power. There is also a full range internal crossover with full driver accessible tri-amping capabilities on a Neutrik NL8 connector. Twelve fly points are provided for overhead suspension. The enclosure is constructed of CNC machined 13-Ply Premium Russian Baltic Birch with heavy gauge steel powder coated front grills. The crossover includes 4 pin NL4 Speakon and 8 pin NL8 Speakon mounted on FR4 double sided circuit boards for solid construction and durability. Carvin's exclusive Speaker Guard™ HF Driver protection uses a self resetting relay circuit to dim the HF driver 10 dB protecting the voice coil from excessive power. The benefits are the driver is not turned off losing all the high frequencies, the circuit resets as soon as the high frequency content is back to normal levels.

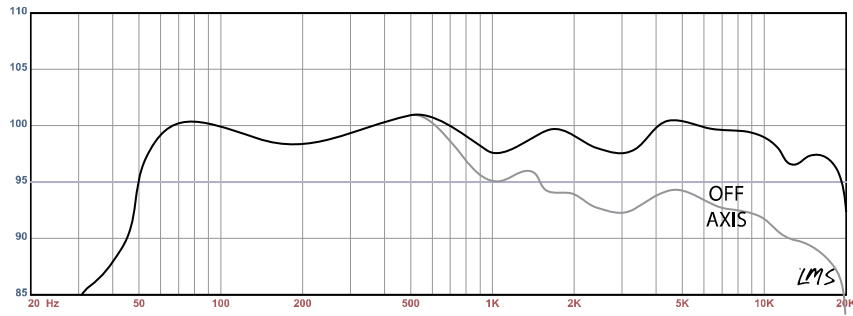


Specifications TRx215N

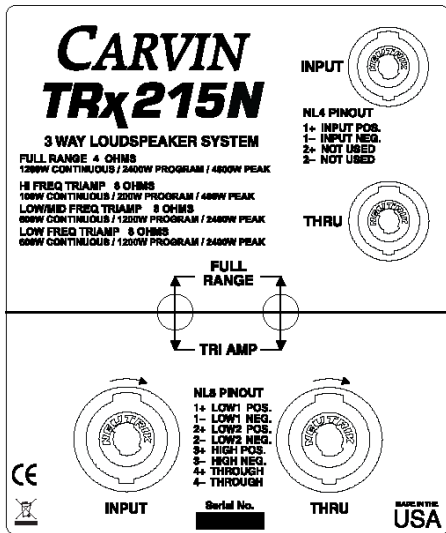
System Type:	Dual 15-inch 3-Way, bass-reflex
Frequency Response:	50 Hz – 20 kHz (-10DB) 57 Hz – 18 kHz (-3 dB)
Coverage Pattern:	60H x 40V
Crossover:	Quasi 3-Way with Speaker Guard™ HF protection
Crossover Frequency:	2.5 k Hz (400Hz LP lower 15Inch)
Power:	Continuous / Program / Peak
Full Range	1200w /2400w /4800w
Recommended Amplifier Power:	1600 – 3200w
Sensitivity (1w @ 1m):	100dB
Maximum SPL:	131dB
LF Driver:	12 15-inch Neodymium 3-inch VC
HF Driver:	2-inch exit Neodymium 3-inch VC
Nominal Impedance full range:	4 ohms
Tri-amp LF:	8 ohms 600w /1200w /2400w
Tri-amp MF/LF:	8 ohms 600w /1200w /2400w
Tri-amp HF:	8 ohms 100w /200w /400w
Enclosure:	13-Ply Premium Russian Baltic Birch
Suspension/Mounting:	12 captive 3/8in –16 nut fly points
Finish:	Black DuraTex™
Transport:	6 Recessed Handles
Grill:	Black powder coated steel Acoustically Transparent Foam Backing
Connectors:	Two NL-4 Neutrik Speakon's Two NL-8 Neutrik Speakon's
Dimensions (H x W x D):	45.5 in x 19 in x 21 in 1155 mm x 480 mm x 535 mm
Net Wt:	99 lb (45 kg)
Rigging Accessories:	TCSHK10 3/8-16 Eyebolt TCSHK15 3/8-16 Quicklink™

CARVIN

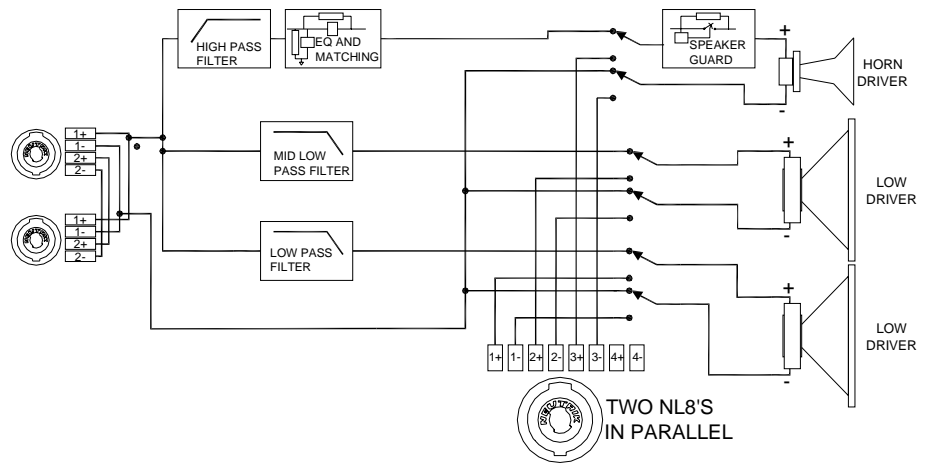
Frequency Response



TRx215 Rear Plate



Block Diagram in Full Range Mode



Dimensions

